

Maibec Acenta® Fastened Stone Veneer Installation Guide

Carefully read this entire guide to understand all of the necessary steps and requirements for proper installation.

DOWNLOAD THE LATEST VERSION OF THIS INSTALLATION GUIDE AT MAIBEC.COM. For assistance, call Maibec's Technical Service at 1 800 363-1930, Monday to Friday from 8:30 a.m. to 4:30 p.m. (Eastern Time).

IMPORTANT: COMPLIANCE WITH MAIBEC'S INSTALLATION REQUIREMENTS AND WITH ALL APPLICABLE BUILDING CODES IS MANDATORY. PROBLEMS CAUSED BY FAILURE TO COMPLY WITH THESE REQUIREMENTS AND CODES MAY NOT BE COVERED BY THE APPLICABLE WARRANTIES.

Drawings in this document are not to scale and are used solely to illustrate best practices. All dimensions in this document are given in inches.

THINGS TO KNOW BEFORE YOU START

For an **optimal and attractive** result, always follow these simple tips for installing the stones:

- For best results, it is strongly recommended that you use stones from several crates at the same time;
- Respect the ratio of 2 x 20" stones to 1 x 8" and 1 x 12" to ensure a varied and natural look;
- Alternate smooth stones and stones with simulated joints;
- Aim to stagger the joints of subsequent courses by 4";
- Alternate the direction of stones with simulated joints to avoid creating repeating patterns;
- Install cut stones near the middle of the wall instead of at the ends to hide cut edges as much as possible;
- Install stones 1 or 2 courses at a time, respecting the above tips;
- During installation, frequently step back about 20 feet (6 meters) from the wall to check that you're happy with the layout of the stones.

1. TOOLS REQUIRED



TIP: Use a 3" bit tip holder to avoid damaging the stone with the drill chuck or having to turn the drill to reach the screw.



DRILL



MITER SAW
(with diamond blade)



ANGLE GRINDER
(with diamond blade and metal cutting wheel)



MEASURING TAPE



LEVEL



SNIP SCISSORS

2. MATERIALS REQUIRED

- Crates of Maibec Acenta fastened stone;
- Maibec Acenta starter strip;
- Maibec Acenta sills (for transitions and windows);
- Maibec Acenta receptacle wall plates;
- Maibec Acenta light plates;
- Bags of 125 1 1/2" wood screws (included in stone crates);
- Weather seal tape;
- Weather-resistant barrier;
- Nailing base (O.S.B. or plywood);
- Sealant (if installing stones around a door or window).

3. CALCULATING QUANTITIES

- Calculate the area of the walls being covered in square feet, minus the area of any openings such as doors or windows.
- Add 5-10% loss.

4. PREPARING THE WALL

Fastened stone should only be installed on walls that meet the following conditions:

- Maximum 16" stud built wall.
- Nailing base: OSB (oriented strand board) or plywood or rigid insulation panels combined with OSB or plywood (see table on pages 2 and 3 for required thickness of O.S.B.).
- Approved water-resistive barrier (Tyvek®, Typar, etc.).
- Flashing installed over all openings, flat surfaces and wherever moisture drainage is needed.
- Weather-seal tape/membrane around doors, windows and all other openings to ensure a tight seal with the water-resistive barrier. This will protect the wall from water infiltration.



Verify the structural integrity of the wall, making certain that it is solid, straight and ready for the stone to be installed. Maibec cannot be held responsible for any damage to the siding caused by the movement of a structure that has not been built on a frost-protected foundation. Verify that the wall's moisture drainage is ensured by a properly installed water-resistive barrier and appropriate flashing.



Do not install the stone at a height of more than 10 meters (33 feet). Any higher installation must be approved by an engineer.

5. STARTER STRIP

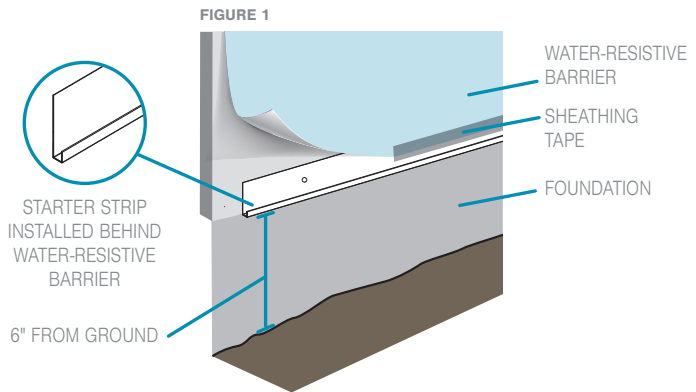


TIP: If possible, adjust the height of the starter strip so that you won't have to cut the last course of stones wall or end up with a piece that's less than 2" high.

Use the Maibec starter strip for fastened stone for the starter course. Make a starter course around the entire building.

Install the starter strip behind the weather-resistive barrier. Apply sheathing tape (Tuck Tape) to the weather barrier to adhere it to the inside of the starter strip.

Fasten with 1 screw every 16". Be sure to always fasten the first and last holes. Use the same screws as for the stone.



6. SCREWS

To ensure product performance, the following requirements must be respected:

TYPE OF WALL	CHOICE OF SCREW	
<ul style="list-style-type: none"> • Standard framed wall • 1/2" plywood 	<p>1 1/2" (38 mm)</p> <ul style="list-style-type: none"> • Maibec self-tapping anticorrosive wood screw (stainless steel or MAGNI galvanized treatment) 	<ul style="list-style-type: none"> • #8 screw (0.190" outside diameter) • Fully threaded <p>Included in crates of stone!</p>
<ul style="list-style-type: none"> • Standard framed wall • 7/16" OSB 	<p>1 1/2" (38 mm)</p> <ul style="list-style-type: none"> • Maibec self-tapping anticorrosive wood screw (stainless steel or MAGNI galvanized treatment) 	<ul style="list-style-type: none"> • #8 screw (0.190" outside diameter) • Fully threaded <p>Included in crates of stone!</p>
<ul style="list-style-type: none"> • Standard framed wall • 1/2" plywood • 1 1/2" to 2" rigid insulation • 7/16" OSB 	<p>3" (76 mm)</p> <ul style="list-style-type: none"> • Maibec anticorrosive wood screws (stainless steel or MAGNI galvanized treatment) 	<ul style="list-style-type: none"> • #8 screw (0.190" outside diameter)
<ul style="list-style-type: none"> • Standard framed wall • 7/16" OSB • 1 1/2" to 2" rigid insulation • 7/16" OSB 	<p>3" (76 mm)</p> <ul style="list-style-type: none"> • Maibec self-tapping anticorrosive wood screws (stainless steel or MAGNI galvanized treatment) 	<ul style="list-style-type: none"> • #8 screw (0.190" outside diameter)

IMPORTANT: COMPLIANCE WITH MAIBEC'S INSTALLATION, STORAGE AND MAINTENANCE REQUIREMENTS, AND WITH ALL APPLICABLE BUILDING CODES, IS MANDATORY. PROBLEMS CAUSED BY FAILURE TO COMPLY WITH THESE REQUIREMENTS AND CODES MAY NOT BE COVERED BY THE APPLICABLE WARRANTIES.

Screws (continued)

TYPE OF WALL	CHOICE OF SCREW
<ul style="list-style-type: none"> Wall (metal, wood, concrete block or other) Metal furring 	<p>1 1/2" (38 mm)</p> <ul style="list-style-type: none"> Maibec self-drilling and self-tapping anticorrosive metal screws (stainless steel or MAGNI galvanized treatment) with hex washer head Meets ASTM standard F5931 #8 screw (0.190" outside diameter) Fully threaded
<ul style="list-style-type: none"> Concrete wall 	<p>1.5" (38 mm)</p> <ul style="list-style-type: none"> Tapcon 3/16" hex head concrete screw Meets ASTM standard E488 1/4" screw (0.250" outside diameter) *pre-drilla

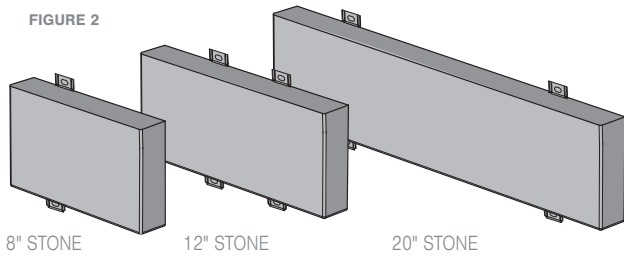


NOTE: Before installing Maibec Acenta fastened stone veneer, ensure that the plywood or O.S.B. is in good (sound) or new condition and properly attached to the framing with appropriate screws to building code standards.

7. INSTALLING THE STONE

Each crate of Maibec Acenta fastened stone veneer:

- Covers 30 square feet;
- 3 sizes of stones with built-in brackets: 6" x 8", 6" x 12" and 6" x 20" (ratio of 2 x 20" stones to 1 x 8" and 1 x 12" stones);
- Approximately 32 different surface patterns for a varied end result;
- Approximately 18 identified cornerstones with textured edges for a cleaner finish;
- 1 bag of 125 1 1/2" wood screws.



IMPORTANT: Always fasten all stone brackets.



TIP: For the starter course, you have two options:

- Slide the brackets into the well of the starter strip (strip will be visible). (Figure 3)
- Cut the bottoms of brackets protruding past the bottom of the stone. Make sure brackets are cut flush with the stone. This will create a narrow space between the stone and the bracket, allowing you to slide the stone slightly in front of the starter strip to hide it. (Figure 4)

FIGURE 3

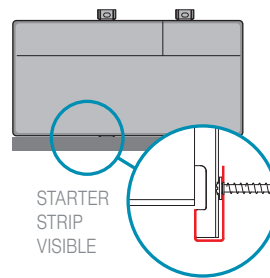
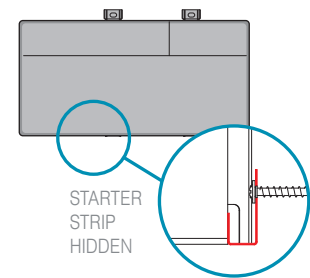


FIGURE 4



TIPS:

- If the brackets of two stones overlap, flip the stone. If this doesn't work, use a different stone.
- Make sure stones are level for the first three courses and then at every 3 or 4 courses for the rest of the wall.

FIGURE 5

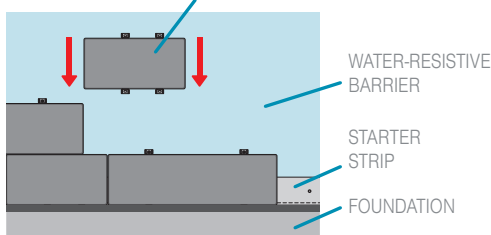
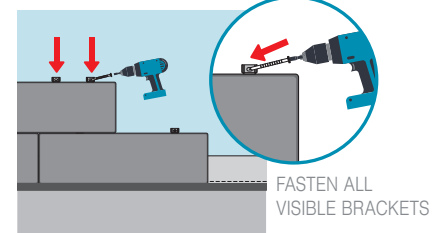
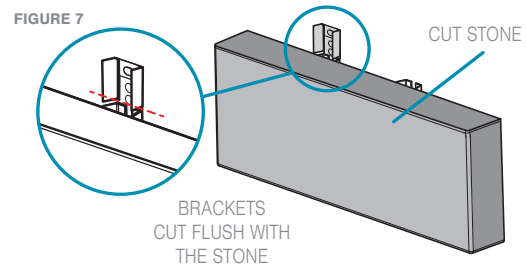


FIGURE 6



7.1 CUTTING THE STONES

- Use a miter saw with a diamond blade or hand grinder to cut stones.
- When cutting a 12" or 20" stone along its length, it must have at least 2 brackets if the cut section is longer than 8".
- Put the nice surface up to cut the stones, and be sure to stabilize them before cutting.
- Cut the thinner side of the stone to be able to camouflage the cut with the adjacent stone.



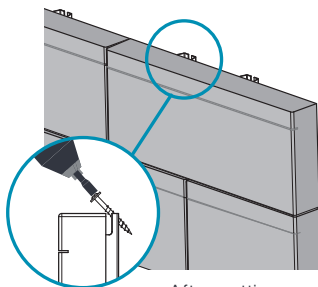
TIP: To stabilize a stone on the wall (for example an 8" stone or a 12" or 20" stone cut with only one bracket left), use a rubber bumper that you will screw on the wall or a small quantity of adhesive to create a support behind the stone.

7.2 FINAL COURSE

When you get to the final course, you may have to cut a stone along its width. Otherwise, you will have to cut the top brackets of the stone. (FIGURE 7)

Various scenarios can occur with the final course:

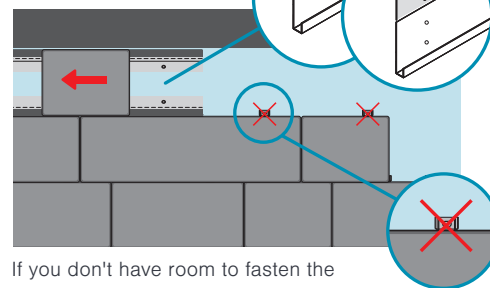
MIDDLE OF WALL
FIGURE 8



FASTEN SCREW AT AN ANGLE

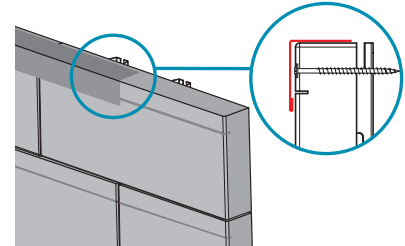
After cutting the stone, you can install it by slightly tilting the screwdriver to fasten the brackets.

TOP OF WALL WITH J-TRIM
FIGURE 9



If you don't have room to fasten the stone at the top of the wall, cut the top brackets flush with the stone in the second-last course. Install a J-trim along this course and another J-trim upside down at the top of the wall. Cut the stone to the required height, and the bottom bracket flush with the stone. Slide the stone for the last course into place.

TOP OF WALL + DRILLED COURSE WITH FINISHING TRIM
FIGURE 10

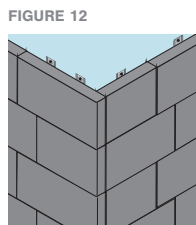
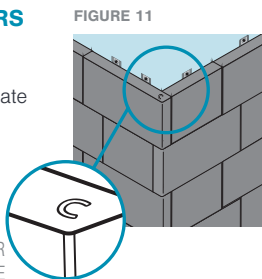


If you don't have room to fasten the stone at the top of the wall or to slide it into place as shown in Figure 9, insert the top stone in place, then pre-drill the stone carefully so that it can then be fastened. Hide the screw holes with finishing trim.

7.3 OUTSIDE CORNERS

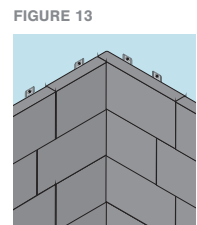
Use the corner stones identified with a C on the top or bottom edge. Alternate stones by criss-crossing them to create the corner. Make the corner of both sides by alternating as you work your way up the wall.

CORNER STONE



7.4 INSIDE CORNERS

Just like with an outside corner, alternate stones by criss-crossing them to create the corner. However, because the ends will be hidden, you don't need to use corner stones.



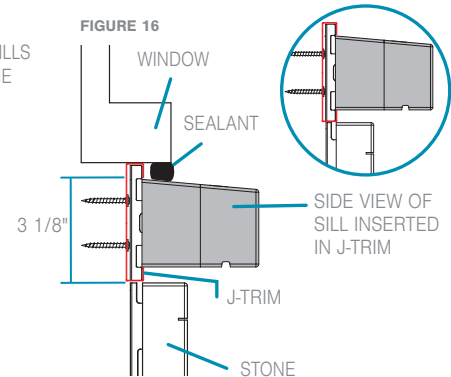
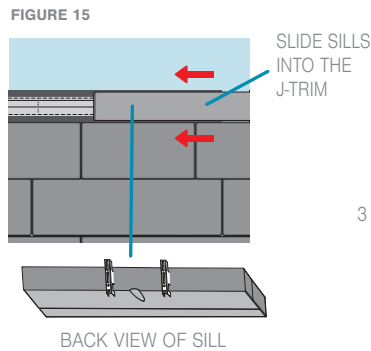
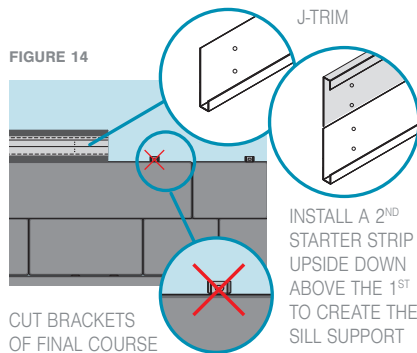
- TIPS:**
- For an optimal aesthetic result, try to have your 2 stones forming a corner in the most similar colours possible.
 - For the Anna model, we recommend not alternating stones to form a corner, but rather using the method in Figure 12.

8. ACCESSORIES

8.1 SILLS

WINDOW SILLS

- Keep a minimum 3 1/8" space to install the sill. Measure and cut the last course as needed to respect this 3 1/8" space. (Figure 16)
- Use a starter trim of the necessary length to install sills along the top of the stone. Secure the starter trim in the same way as for the starter course. Maintaining the 3 1/8" space, install a second starter trim upside down, pressing the 2 edges together. This will create the support for your sills.
- Cut the top and bottom brackets flush with the sill.
- Apply adhesive* under the sill; do not go beyond the first back third of the sill to ensure the adhesive comes into contact with the stone of the final course.
- Slide the sills into the support.
- Apply sealant between the sill and the bottom of the window.

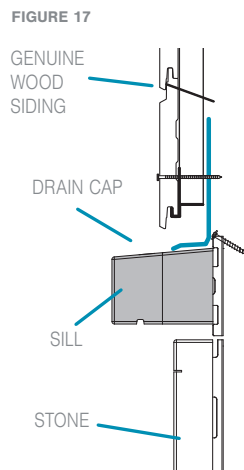


TRANSITIONING TO OTHER SIDING

Determine the height at which you want to transition from stone to another type of siding. Install stones up to 3 1/8" from this height to leave room for the sill. If you need to cut stones for the final course, fasten them at an angle. Apply adhesive* on both sides and under the sill; do not go beyond the first back third of the sill to ensure the adhesive comes into contact with the stone of the final course. Next, insert the sill and fasten at an angle. Put shims under the sill to keep it straight while the adhesive dries.

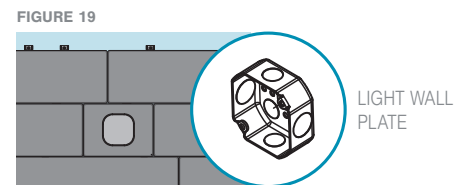
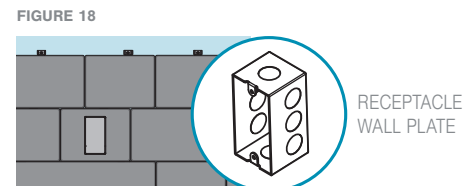
Install a drip cap over the sill to install the other siding. The drip molding must overlap the sill brackets. **Be sure to install furring strips beforehand to create a ventilation cavity.**

* We recommend using construction adhesive such as LePage PL® PREMIUM® MAX Adhesive.



8.2 PLATES

Plates for outlets and lights are installed the same as stones.



9. FINISHING

Apply sealant where needed, such as between stones and sills and sills and windows. (Figure 16)

Your retailer can help you find the right colour to match your stone.

▶ [DOWNLOAD THE LATEST VERSION OF THIS INSTALLATION GUIDE AT MAIBEC.COM](https://www.maibec.com)

IMPORTANT: COMPLIANCE WITH MAIBEC'S INSTALLATION, STORAGE AND MAINTENANCE REQUIREMENTS, AND WITH ALL APPLICABLE BUILDING CODES, IS MANDATORY. PROBLEMS CAUSED BY FAILURE TO COMPLY WITH THESE REQUIREMENTS AND CODES MAY NOT BE COVERED BY THE APPLICABLE WARRANTIES.

© REGISTERED TRADEMARK PROPERTY OF MAIBEC INC. © COPYRIGHT - MAIBEC INC.
PRINTED IN CANADA APRIL 2026 I2121569A.6



HAVE YOU YET REGISTERED YOUR WARRANTY?
[maibec.com](https://www.maibec.com)

