

Installation Guide Maibec Regular Siding

(with visible nails)

Read this entire guide before installing your siding. For proper installation, you must understand and follow all requirements and steps correctly. **DOWNLOAD THE LATEST VERSION ONLINE AT MAIBEC.COM.**

For any questions, please contact Maibec's technical service toll-free at 1-800-363-1930, Monday to Friday from 8:30 a.m. to 4:30 p.m. (Eastern Time)

IMPORTANT: COMPLIANCE WITH MAIBEC'S INSTALLATION, STORAGE AND MAINTENANCE REQUIREMENTS, AND WITH ALL APPLICABLE BUILDING CODES IS MANDATORY. PROBLEMS CAUSED BY FAILURE TO COMPLY WITH THESE REQUIREMENTS AND CODES MAY NOT BE COVERED BY THE APPLICABLE WARRANTIES.

Maibec regular siding is for exterior use only.

Drawings in this document are not to scale and are used solely to illustrate best practices.

All dimensions in this document are given in inches.

1. BASIC PRINCIPLES FOR INSTALLING EXTERIOR SIDING

Exterior siding is essential for protecting a home against water infiltration, but is not watertight. Water accumulation and variations in moisture levels behind the siding can cause boards to warp, mould to form and even lead to rot inside the wall. This will affect the siding's performance, durability and appearance.

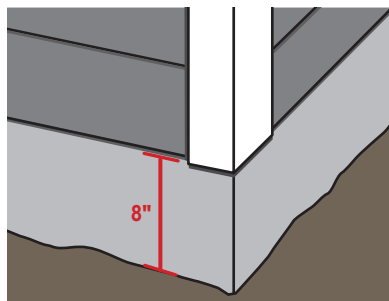
1.1 MANAGING WATER

The following requirements must be respected to properly manage water:

- Water must be able to drain away freely between the siding and water-resistive barrier.
- Install flashing over all openings, flat surfaces and wherever moisture drainage is needed.
- Use weather-seal tape/membrane around windows, doors and all other openings to ensure a tight seal with the water-resistive barrier. This will protect the wall from water infiltration.
- No horizontal furring strips or surfaces at the bottom of walls to prevent water accumulation.
- Install gutters and deflective flashing on roofs.

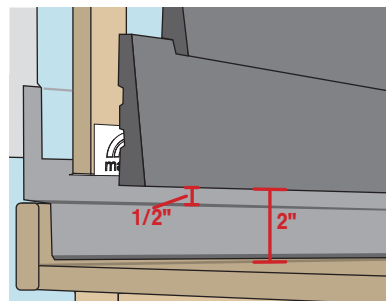
ALLOW A MINIMUM CLEARANCE OF:

FIGURE 2



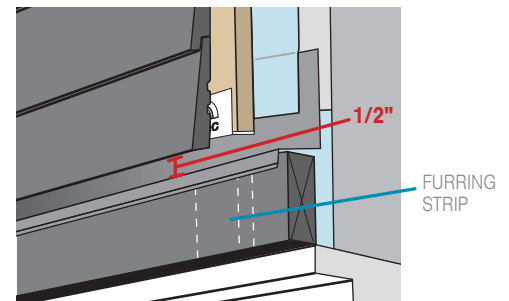
8" from the ground

FIGURE 3



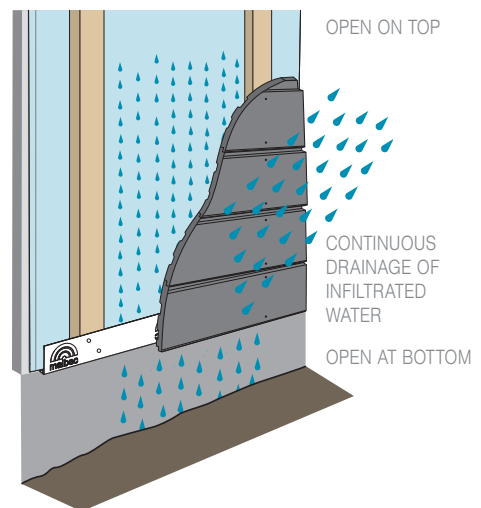
- 2" from adjacent horizontal structures (e.g. decks, low walls, roof shingles)
- 1/2" between siding and flashing

FIGURE 4



1/2" space between the siding and the flashing over all openings

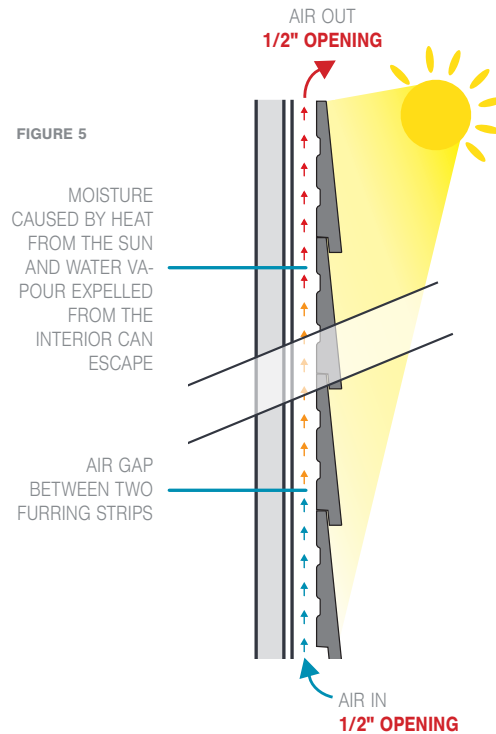
FIGURE 1



1.2 VENTILATING THE WALL

- Continuous wall ventilation will allow heat and moisture to escape from between the siding and the insulating material. Using furring strips, create ventilated spaces (called air gaps or rainscreens) and leave a 1/2" minimum open space at the bottom and top of walls to allow air to enter and exit across the entire height and width of the wall.
- Wall ventilation is especially important when dark-coloured siding and/or foam insulation panels are used. Dark siding absorbs more heat and is more prone to thermal expansion. Foam insulation panels also tend to trap heat.
- Maibec ventilated strips* will allow proper water and heat management while preventing potential rodents and certain insects from getting in behind the siding.
 - **Ventilated starter strip:** Starter course around the entire building.
 - **Ventilated universal "L" strip:** Top of windows, top and bottom of walls, and other types of installation. [SECTIONS 7, 10, 11, 12]
 - **Ventilated "J" strip:** Bottom of windows and tops of walls. [SECTIONS 11, 12, 13]
 - **Ventilated universal band:** Can be folded and cut on-site to meet any installation requirement. [SECTIONS 8, 10, 12]
 - **Ventilated strip for soffits:** For optimal ventilation in soffits.

*If non-Maibec ventilated strips are used, they must have a minimum 50% opening to ensure adequate ventilation of the wall.



1.3 PROTECTING THE INTEGRITY OF THE SIDING

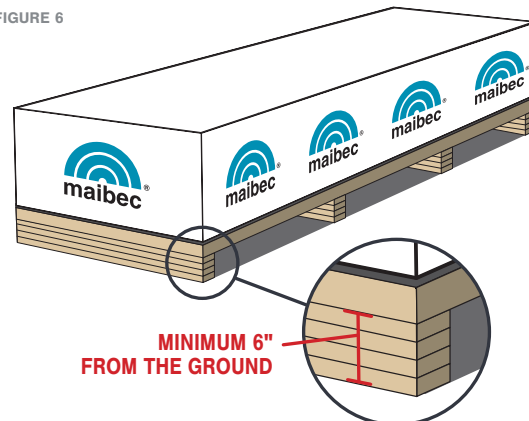
To protect the integrity of the product, always follow the instructions for cutting, touching up and nailing the siding.

- The correct angle cuts and placement will prevent water infiltration behind the siding. [SECTIONS 7.3, 8.3]
- Apply touch-up stain to any bare wood to seal it. This will prevent water from seeping into the wood fibres and rotting the board, ensuring the optimal performance of the siding and stain. [SECTION 5]
- Correct nailing will result in a stable, long-lasting installation. [SECTION 4]

2. STORAGE

- Keep the siding in a dry, unheated and well-ventilated area at least 6" from the ground. Never let it come into direct contact with the ground.
- Cover any unused siding with its original packaging at all times, even during installation. If the original packaging is no longer in good condition, cover the siding with a waterproof tarp.
- Install siding within 10 weeks of delivery, after which it should be kept in a dry, unheated, and well-ventilated area away from direct sunlight to prevent the wood from drying out.
- Touch-up stain must always be kept at room temperature (max 38°C/100°F).

FIGURE 6



3. BEFORE YOU BEGIN INSTALLATION

3.1 CHECK YOUR ORDER

- Make sure the product(s) delivered matches your order (colour, profile, quantity, nails, accessories, etc.).
- Have touch-up stain on hand.
- Never install a product that appears to be or that you think may be defective. Installed defective products are not covered by the warranty. Contact Maibec at 1 800 363-1930.

3.2 CONSULT THE BUILDING CODES

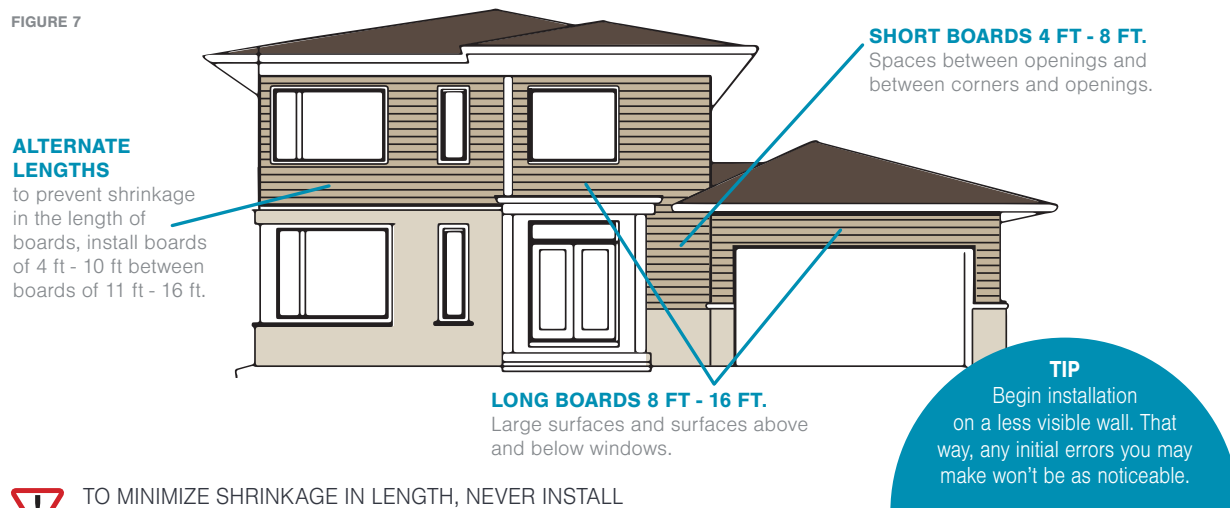
Make sure you are familiar with the specific requirements of all applicable federal and provincial building codes and municipal by-laws for your region with respect to installing siding, water-resistive barrier, sealant, etc. For the water-resistive barrier and the sealant, follow the manufacturers' instructions.

For more information, see the National Model Construction Codes on the Government of Canada's website at nationalcodes.nrc.gc.ca.

3.3 PLANNING THE ARRANGEMENT OF THE BOARDS

- Each bundle contains boards of varying lengths, which are indicated on the label on the pallet. This label identifies the product and the quantity of each board length.
- Using boards of different lengths on the space to be covered can reduce the number of joints and cuts needed. It will also produce a more harmonious appearance. [FIGURE 7]

FIGURE 7



 TO MINIMIZE SHRINKAGE IN LENGTH, NEVER INSTALL 2 BOARDS OF MORE THAN 12 FT. END TO END.

4. INSTALLATION SYSTEM

Maibec regular siding is installed with Maibec hot dipped zinc galvanized ring shank nails with textured head, factory-stained to match the siding colour. These nails must be ordered at the same time as your siding. Use the hammer cap to protect the stain on the nail heads.

4.1 NAIL LENGTHS

- | | | |
|--|---|--|
| • 2" Stained Siding and 1" mouldings | • 3" Stained Other mouldings and the Batten | • 2 1/2" Coil unstained Siding and mouldings |
|--|---|--|

If Maibec siding is installed in Coastal regions*, unstained stainless steel grade 316 ringed nails* must be used for installing siding and mouldings. Failure to comply with this requirement will void the warranties.

* APPLICABLE COASTAL REGIONS INCLUDE THOSE LOCATED LESS THAN 600 M (2,000 FT) FROM THE COASTLINE IN THE ATLANTIC PROVINCES (NEW BRUNSWICK, PRINCE EDWARD ISLAND, NOVA SCOTIA, NEWFOUNDLAND AND LABRADOR), IN SAINT-PIERRE-ET-MIQUELON, AND IN THE U.S. EAST COAST STATES.

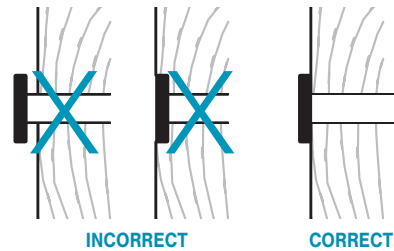
IMPORTANT: COMPLIANCE WITH MAIBEC'S INSTALLATION, STORAGE AND MAINTENANCE REQUIREMENTS, AND WITH ALL APPLICABLE BUILDING CODES IS MANDATORY. PROBLEMS CAUSED BY FAILURE TO COMPLY WITH THESE REQUIREMENTS AND CODES MAY NOT BE COVERED BY THE APPLICABLE WARRANTIES.

4. Installation system (cont'd)

4.2 NAILING

- Ensure nails have a minimum real penetration of 1" in a solid substrate.
- Nails must be driven so that the head sits flush on the wood's surface. [FIGURE 8]

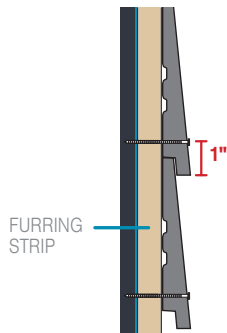
FIGURE 8



4.3 NAIL PLACEMENT

HORIZONTAL SIDING INSTALLATION

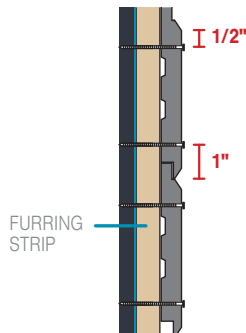
FIGURE 9



6" PROFILE (RABBETED BEVEL)
4" PROFILES

One nail every 16" at 1" from the bottom of the board. [FIGURE 9]

FIGURE 10

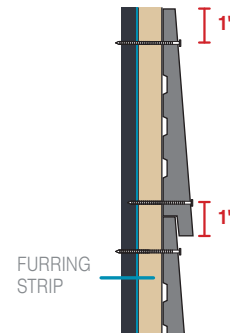


6" PROFILES (MODERN, CHANNEL, COVE AND V-JOINT)
8" PROFILES

Two nails every 16" at:

- 1" from the bottom of the board. [FIGURE 10]
- 1/2" from the bottom of the smooth portion. [FIGURE 10]
- 1" from the top of the board for rabbeted bevel siding. [FIGURE 11]

FIGURE 11



VERTICAL SIDING INSTALLATION

6" AND 8" MODERN, CHANNEL AND V-JOINT [FIGURE 12]

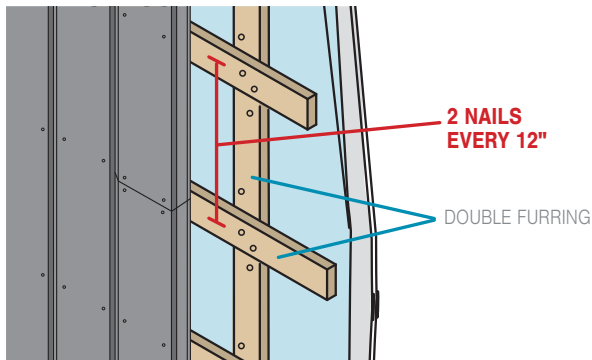
Two nails every 12" at:

- 1" from the bottom of the board
- 1/2" from the bottom of the smooth portion

4" V-JOINT

- One nail every 12" at 1" from the bottom of the board

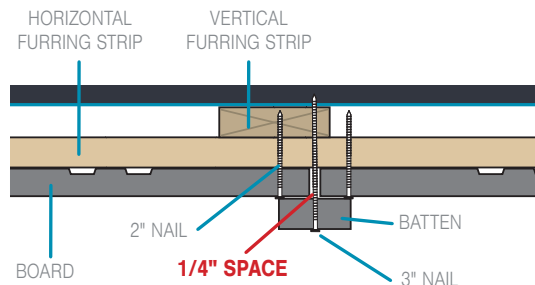
FIGURE 12



BOARD & BATTEN

- Nail boards every 12" vertically, 3/4" from the edges.
- Leave a 1/4" gap between each board. Nail battens in the centre. [FIGURE 13]

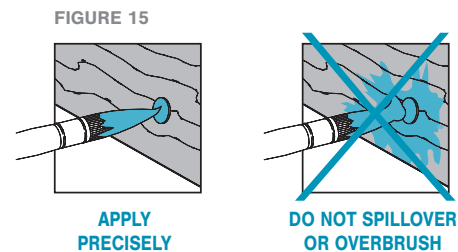
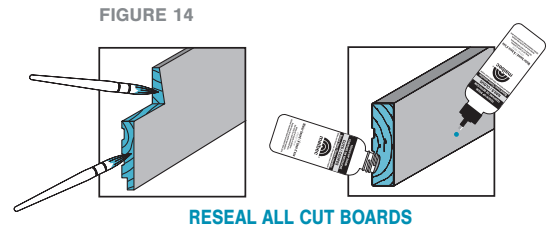
FIGURE 13



IMPORTANT: COMPLIANCE WITH MAIBEC'S INSTALLATION, STORAGE AND MAINTENANCE REQUIREMENTS, AND WITH ALL APPLICABLE BUILDING CODES IS MANDATORY. PROBLEMS CAUSED BY FAILURE TO COMPLY WITH THESE REQUIREMENTS AND CODES MAY NOT BE COVERED BY THE APPLICABLE WARRANTIES.

5. TOUCH-UPS FOR SEALING THE WOOD

- To ensure the optimal performance of the siding and stain, all bare wood on cut boards must be resealed. This will prevent water from seeping into the wood fibres and causing rot over time.
- Apply touch-up stain to all cut or planed surfaces and to all bare wood, even if it will not be visible after the siding is installed. Always touch up boards **BEFORE** installing them. [FIGURE 14]
 - Touch-up stain in a can - Use a polyester, nylon or any synthetic applicator with firm bristles approved for water-based coatings.
 - Natural Tones siding - Use the Maibec touch-up applicators:
 - » One bottle for siding CUTS.
 - » One bottle for NAILS.
- Touch-up stain is included with your order. If you need more, you can purchase a Maibec-approved stain from your retailer. See the list of Maibec-approved stains in the Staining Guide at maibec.com/en/support/maintenance-program



NEVER APPLY TOUCH-UP STAIN OVER NON-DAMAGED OR UN-CUT FACTORY COATED MATERIAL. IMPROPER APPLICATION OF THE TOUCH-UP STAIN CAN RESULT IN DIFFERENCES IN COLOUR THAT WILL NOT NECESSARILY APPEAR IMMEDIATELY, BUT WHICH MAY BECOME MORE NOTICEABLE OVER TIME AFTER PROLONGED EXPOSURE TO ULTRAVIOLET RAYS.

For more information, consult the touch-up guide that accompanies the touch-up stain or go to maibec.com/en/support under Installation Guide.

6. GENERAL STRUCTURE OF THE WALL

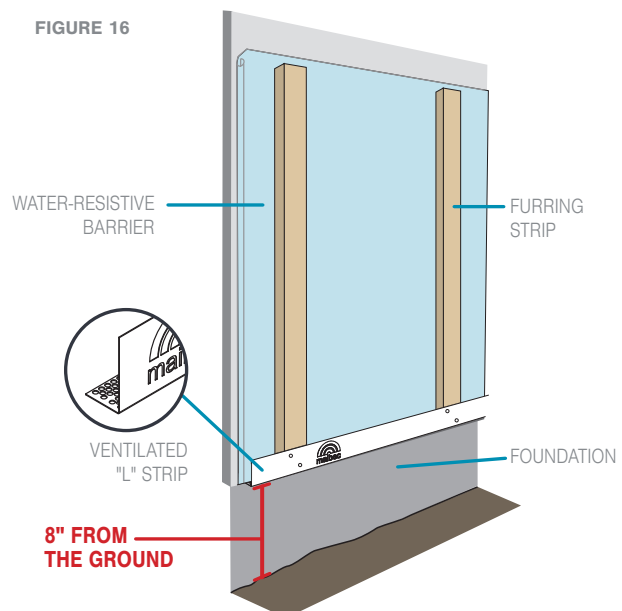
Siding must be installed over:

- A standard maximum 16" stud built wall
- Nailing base consisting of furring strips and OSB (oriented strand board) or plywood, or foam insulation panels combined with OSB or plywood.
- Approved water-resistive barrier (Tyvek®, Tytar, etc.).
- Flashing installed over all openings, flat surfaces and wherever moisture drainage is needed.
- Weather-seal tape/membrane around windows, doors and all other openings to ensure a tight seal with the water-resistive barrier. This will protect the wall from infiltration.
- Ventilated barriers preventing rodents and certain insect from infiltrating behind the siding. [SECTION 7.2]

Verify the structural integrity of the wall, making certain that it is solid, straight and ready for siding to be installed. Maibec cannot be held responsible for any damage to the siding caused by the movement of a structure that has not been built on a frost-protected foundation.

Verify that the wall's moisture drainage is ensured by a properly installed water-resistive barrier and appropriate flashing.

If you are using insulating concrete forms (ICF), please contact Maibec for technical assistance.



7. HORIZONTAL SIDING INSTALLATION

7.1 VERTICAL FURRING STRIPS

Vertical furring strips create a ventilated space (called an air gap or rainscreen) between the siding and the water-resistive barrier. This space allows any water that may infiltrate behind the siding due to driving rain, wind or morning dew to escape rather than accumulating behind the siding. It also allows water vapour from inside the building released by the water-resistive barrier to escape without damaging the wall.

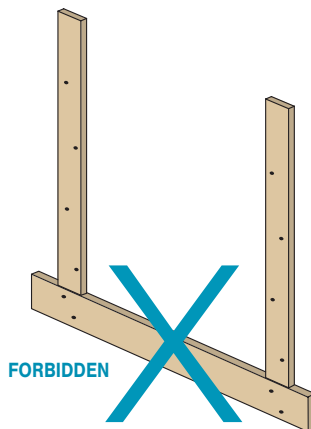
FURRING STRIP SPECIFICATIONS

- 1" x 3" furring strips (1" x 4" is acceptable). If the nailing base is not sufficient, use 2" x 3" furring strips.
- Kiln-dried with a moisture content below 19%.
- Furring strips must be new, straight and undamaged. If the siding is being installed as part of a renovation project, replace all existing furring strips with new compliant strips.

INSTALLING FURRING STRIPS

- Install furring strips vertically and secure them firmly to the structure using one staggered nail or angle screw every 6" maximum. Stagger nails/screws. Nails/screws must have a minimum penetration of 1 1/4" in the structure. [FIGURE 17]
- Furring strips should have a maximum spacing of 16" on centre. Maibec prohibits a spacing of 24" between furring strips.
- Furring strips must extend beyond the concrete foundation line by 1" minimum to ensure the overlap of the siding and the foundation.

FIGURE 18



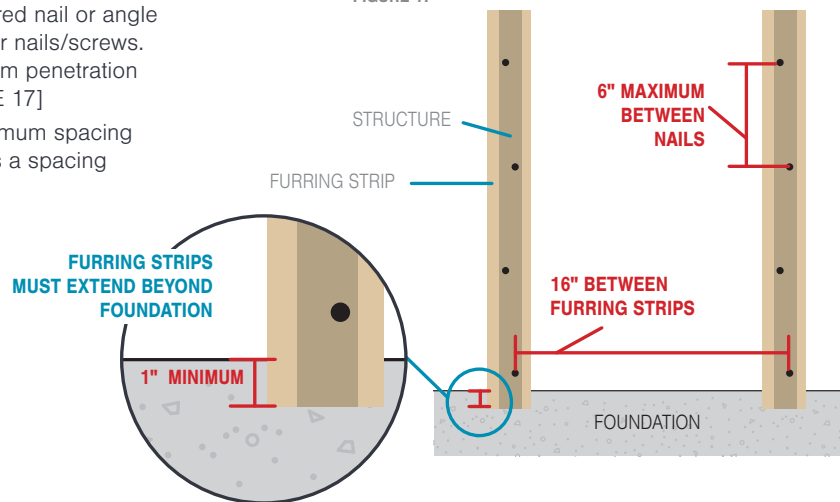
7.2 PREPARING THE BOTTOM OF WALLS AND THE STARTER COURSE

BOTTOM OF WALLS

Install siding at least 8" from the ground to avoid exposing the wood to splashing rain and soil moisture. [FIGURE 19]

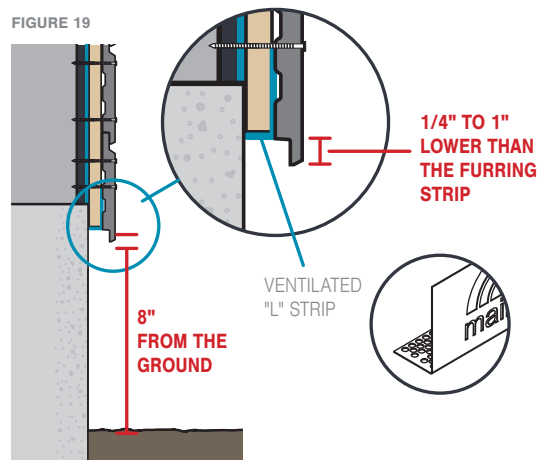
Siding should never come into direct contact with the ground.

FIGURE 17



NEVER INSTALL FURRING STRIPS DIAGONALLY, WHICH WILL IMPEDE VENTILATION OF THE WALL AND PREVENT WATER FROM DRAINING FREELY. NEVER INSTALL FURRING STRIPS HORIZONTALLY AT THE BOTTOM OF WALLS OR AROUND DOORS AND WINDOWS. [FIGURE 18]

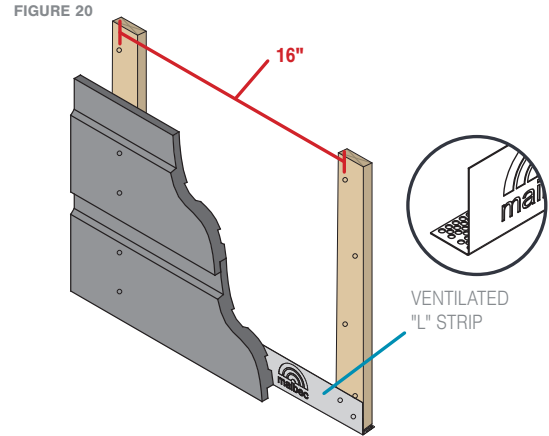
FIGURE 19



7.2 Preparing the bottom of walls and the starter course (cont'd)

STARTER COURSE WITH MAIBEC VENTILATED STRIPS

- Use one of the following ventilated strips* for the starter course:
 - **Ventilated starter strip:** Starter course all around the building.
 - **Ventilated universal "L" strip** [FIGURE 20]
 - **Ventilated universal band:** Use the universal band if furring strips exceed 3/4" in thickness or if insulation panels are used. The ventilated band will cover the furring or insulation panels while preventing potential rodents and certain insects from getting in behind the siding.
- *If non-Maibec ventilated strips are used, they must have a minimum 50% opening to ensure adequate ventilation of the wall.
- Install the ventilated strip with a precision (laser) level or other type of level directly over the furring strips. The bottom of the furring strips should reach to the bottom of the ventilated strip. Secure with 2 nails horizontally every 16".
- To allow for adequate water drainage, the bottom of the first course of siding must extend at least 1/4" but no more than 1" past the bottom of the furring strip.

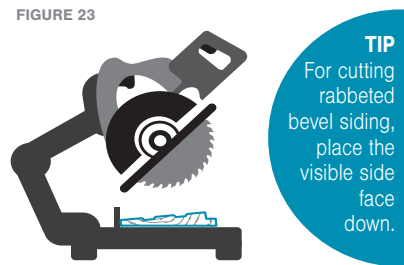
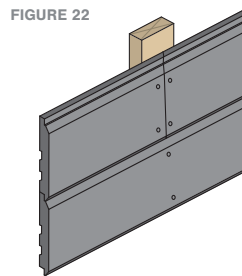
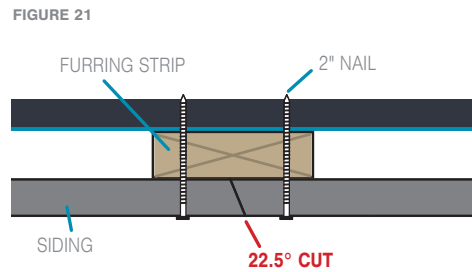


7.3 END JOINTS

The correct angle and placement of cuts will prevent water from getting behind the siding.


BOARD-TO-BOARD AND MOULDING-TO-MOULDING

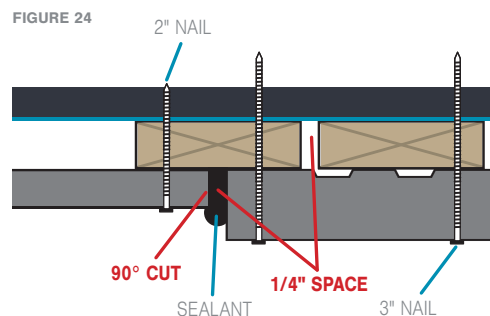
- Cut the ends of boards and mouldings to be butted at a 22.5° angle. [FIGURE 21]
- Apply touch-up stain as required to seal the wood. No sealant is required.
- Joints must be nailed to a furring strip. [FIGURE 22]



BOARD-TO-MOULDING

- Cut the end of the board so that it abuts with the moulding at a 90° angle. Apply touch-up stain as required to seal the wood. [FIGURE 24]
- Use sealant for a smoother finish and to better protect the joint. Consult the applicable building codes and the manufacturer's instructions for the correct type of sealant to use.

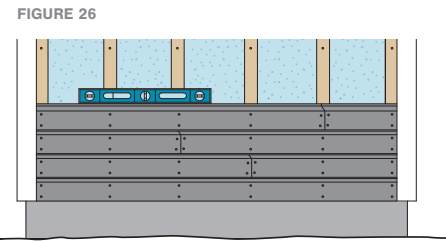
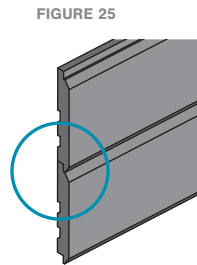
 USE SEALANT ONLY WHERE NEEDED. IMPROPER USE OF SEALANT MAY PREVENT WATER DRAINAGE.



IMPORTANT: COMPLIANCE WITH MAIBEC'S INSTALLATION, STORAGE AND MAINTENANCE REQUIREMENTS, AND WITH ALL APPLICABLE BUILDING CODES IS MANDATORY. PROBLEMS CAUSED BY FAILURE TO COMPLY WITH THESE REQUIREMENTS AND CODES MAY NOT BE COVERED BY THE APPLICABLE WARRANTIES.

7.4 SUBSEQUENT COURSES

- Set boards tightly into one another.
- The upper alignment of boards can be adjusted up to a maximum of 1/8".
- Using a level, verify the alignment every 3rd or 4th row. A variance of 1/16" - 1/8" between boards is considered normal.
- Make sure joints are not aligned over subsequent rows.
- Nail every 16". Use the correct nailing pattern based on the siding's profile. [SECTION 4.3]



8. VERTICAL SIDING INSTALLATION

ONLY THE FOLLOWING PROFILES MAY BE INSTALLED VERTICALLY:

- 6" and 8" Modern
- 6" and 8" Channel
- 4", 6" and 8" V-Joint
- 10" Board & Batten

8.1 DOUBLE FURRING

- Start with the vertical furring as per instructions in Section 7.1.
 - Then install horizontal furring strips over the vertical furring strips every 12".
 - **Double furring is mandatory in Quebec and the Maritimes** to ensure continuous ventilation and water drainage. Recommended in Ontario. [FIGURE 27]
 - **Horizontal furring only allowed in Ontario** provided you have:
 - Furring strips every 12"
 - 1" spacing between the ends of furring strips for adequate water drainage
 - A full 1" nailing base, obtained either by combining a furring strip and OSB or plywood or by using an actual 1" or 2" x 3" furring strip.
- Double furring is strongly recommended for foam insulation panels or insulating concrete forms (ICF). This will allow any heat or moisture accumulated between the siding and the foam/ICF insulation to evacuate more readily, resulting in optimal siding performance.
- If the siding is installed vertically on a wall that exceeds 3 m (approx. 10'), the code's fire safety requirements may require a fire-blocking barrier. See Section 10.3.

FIGURE 27

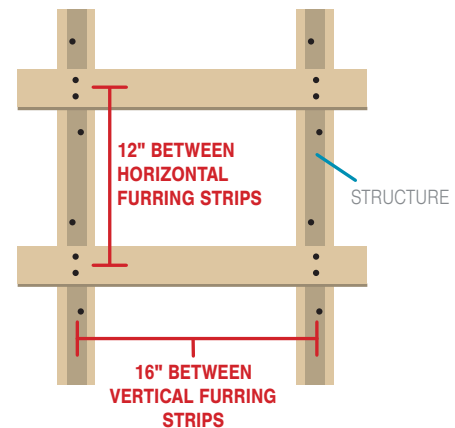
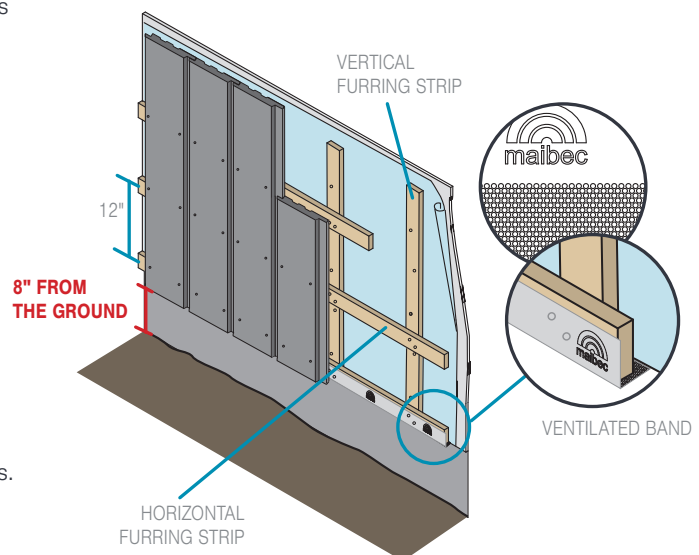


FIGURE 28



8.2 PREPARING THE BOTTOM OF WALLS

Install siding at least 8" from the ground to avoid exposing the wood to splashing rain and soil moisture. [FIGURE 28]

Siding should never come into direct contact with the ground.

VENTILATED UNIVERSAL BAND

- The ventilated band is recommended with double furring.
 - Use a precision or laser level or other type of level to install the ventilated band directly over the furring strips.
- The bottom of the furring strips should reach to the bottom of the band. Secure horizontally with two nails every 16".

8.3 END JOINTS

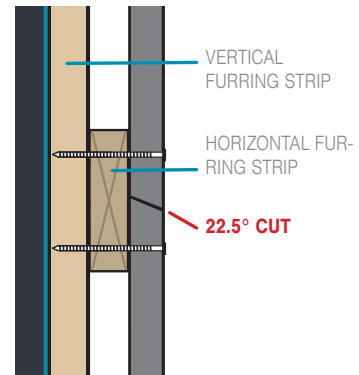
BOARD-TO-BOARD AND MOULDING-TO-MOULDING

- Cut the ends of boards and mouldings to be butted at a 22.5° angle. Apply touch-up stain as required to seal the wood. No sealant is required.
- Joints cut at a 22.5° angle must always be nailed to a furring strip. [FIGURE 29]
- Ensure the angle cut points downward to prevent water from infiltrating through the joint.

8.4 SIDING INSTALLATION

- Set boards tightly into one another (except Board & Batten).
- Using a level, verify the alignment every 3rd or 4th row. A maximum variance of 1/16" between boards is considered normal.
- Nail every 12". Nailing pattern according to profile. [SECTION 4.3]

FIGURE 29

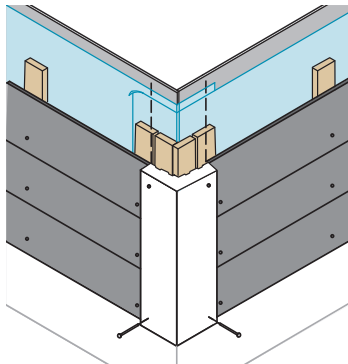


9. CORNERS

Maibec recommends finishing corners either with Maibec wood mouldings or metal corners.

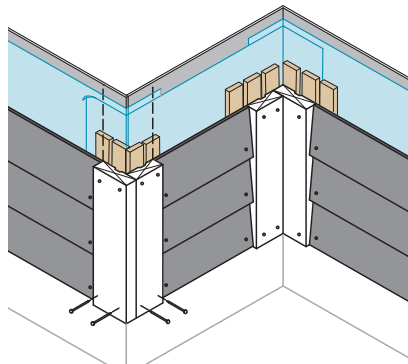
1-PIECE CORNER

FIGURE 30



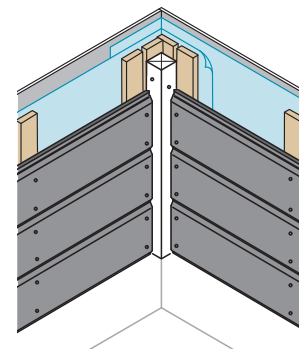
2" MOULDING

FIGURE 31



INSIDE CORNER

FIGURE 32



CUTTING AND NAILING THE MAIBEC 1-PIECE CORNER

- 22.5° cut to allow water to drain freely. [FIGURES 33, 34]
- Use 2 nails every 16" and at 3/4" - 1" from the edges of the corner. [FIGURE 35]

FIGURE 33

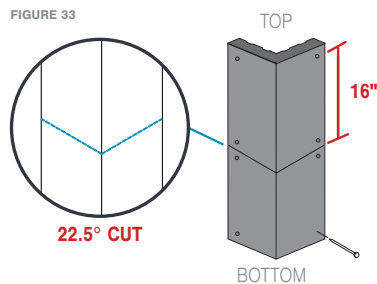


FIGURE 34

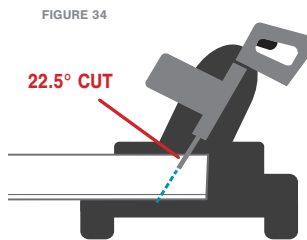
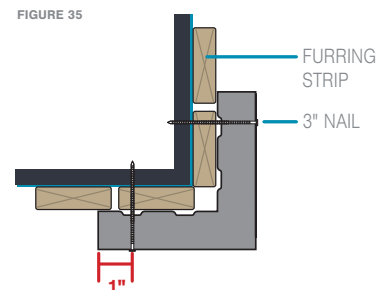


FIGURE 35



IMPORTANT: COMPLIANCE WITH MAIBEC'S INSTALLATION, STORAGE AND MAINTENANCE REQUIREMENTS, AND WITH ALL APPLICABLE BUILDING CODES IS MANDATORY. PROBLEMS CAUSED BY FAILURE TO COMPLY WITH THESE REQUIREMENTS AND CODES MAY NOT BE COVERED BY THE APPLICABLE WARRANTIES.

9. Corners (cont'd)

CUTTING AND NAILING MOULDINGS

- 22.5° cut to allow water to drain freely. [FIGURE 36]
- Use 2 nails every 16" and at 3/4" - 1" from the edges of the moulding. [FIGURE 37]

FIGURE 36

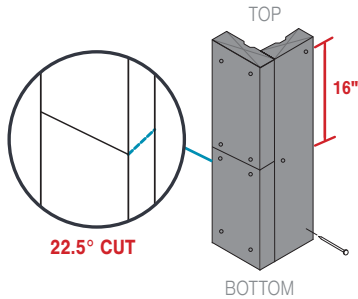
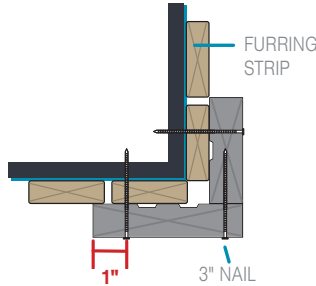
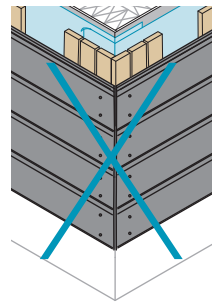


FIGURE 37



! NEVER JOIN TWO PIECES OF SIDING CUT AT A 45° ANGLE TO MAKE CORNERS. THIS WILL LIMIT YOUR OPTIONS FOR MAKING ADJUSTMENTS DURING INSTALLATION. THE SHIFTS THAT OCCUR NATURALLY IN WOOD WILL ALSO BECOME MORE NOTICEABLE OVER TIME. [FIGURE 38]

FIGURE 38

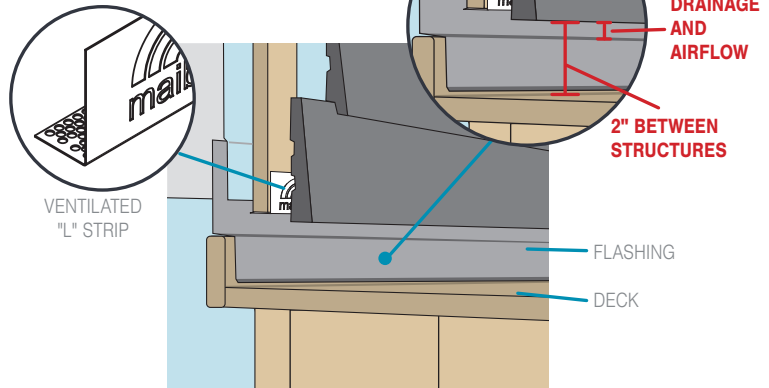


10. JUNCTIONS

10.1 SIDING-DECK JUNCTIONS

- Siding must never come into direct contact with a balcony or deck. At all times, the installation should allow rainwater to drain freely and prevent pooling water from ice dams from penetrating behind the siding. Leave a 2" space between adjacent horizontal structures and a 1/2" space between the siding and the flashing.
- Install the ventilated "L" strip directly to the furring at the bottom of the wall.

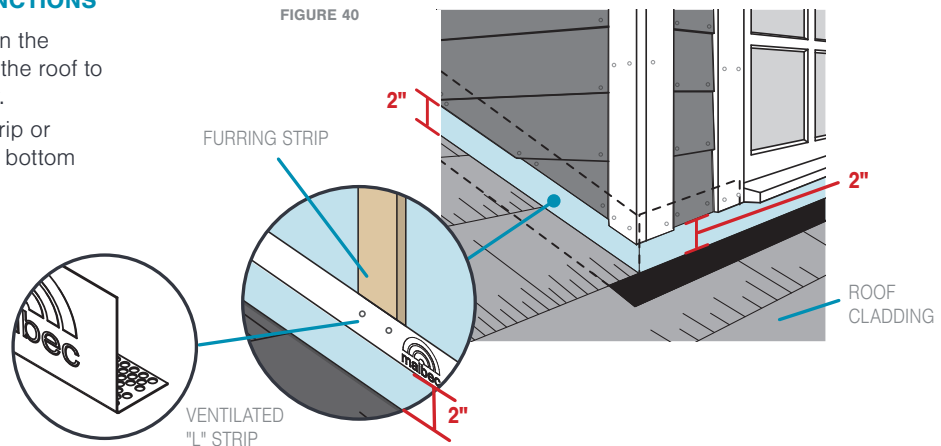
FIGURE 39



10.2 DORMER-ROOF JUNCTIONS

- Leave a 2" space between the siding and the surface of the roof to allow water to drain freely.
- Install the ventilated "L" strip or the ventilated band at the bottom of the dormer.

FIGURE 40

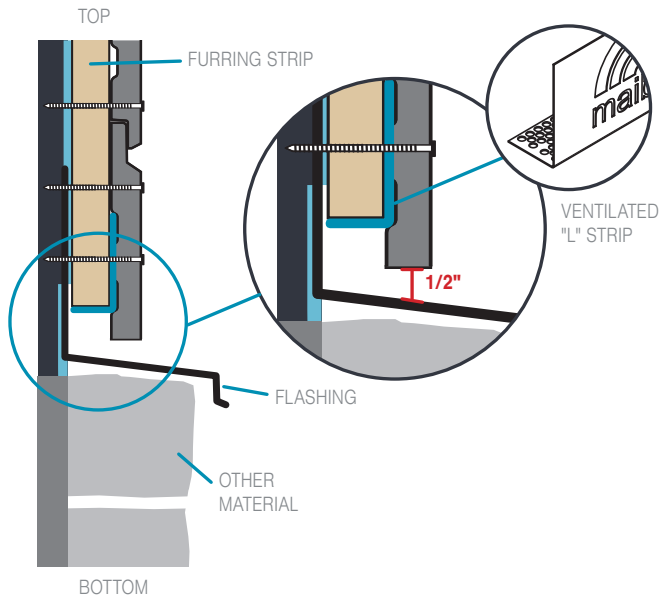


10.3 OTHER JUNCTIONS

Always install flashing and a ventilated strip to ensure ventilation when there is on the same wall:

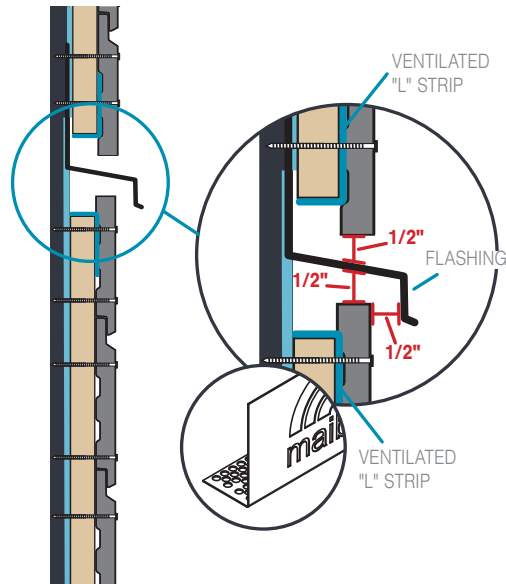
SIDING AND OTHER MATERIAL

FIGURE 41



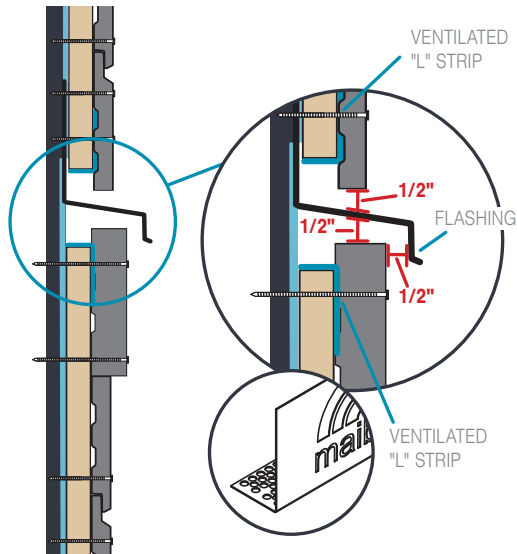
2 1/2 OR MORE STORIES OF SIDING

FIGURE 42



TRANSITION MOULDING

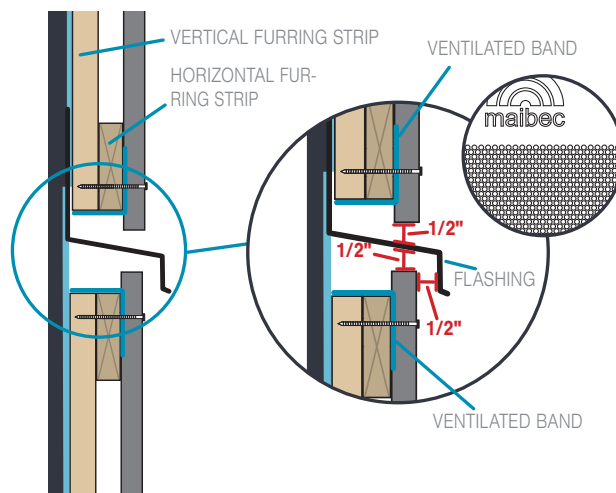
FIGURE 43



FIRE-BLOCKING BARRIER

The code's fire safety requirements may require a fire-blocking barrier, which can be created with flashing when the height of the wall exceeds 3 m (approx. 10') and double furring is used or furring strips exceed 25 mm (approx. 1") in thickness.

FIGURE 44



IMPORTANT: COMPLIANCE WITH MAIBEC'S INSTALLATION, STORAGE AND MAINTENANCE REQUIREMENTS, AND WITH ALL APPLICABLE BUILDING CODES IS MANDATORY. PROBLEMS CAUSED BY FAILURE TO COMPLY WITH THESE REQUIREMENTS AND CODES MAY NOT BE COVERED BY THE APPLICABLE WARRANTIES.

11. WINDOW & DOOR FINISHING DETAILS

- The siding's installation must allow for continuous ventilation and adequate drainage above and below all openings. Maibec offers a full range of ventilated mouldings to ensure this.
- If you plan to install Maibec wood mouldings, you must properly set the window or door depth according to the thickness of the furring strips, the siding being installed and the moulding.

- The moulding must not extend too far past the window or door frame in areas where water can accumulate (header and sill). If the siding butts to the frame, the frame must be as deep as the thickness of the wall plus the thickness of the siding.
- Always install mouldings before installing the siding.

11.1 ABOVE WINDOWS

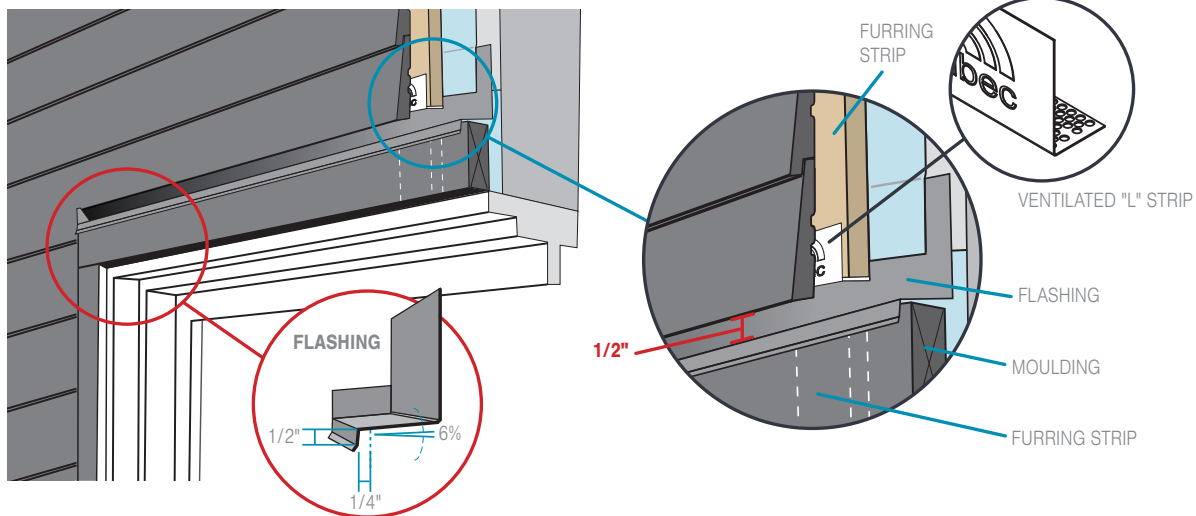
Flashings over openings must:

- Have a slope outward at an angle of at least 6%.
- Minimum 1/2" spacing between flashing and the siding to allow for adequate drainage and air flow.
- Cover the building element below it vertically by at least

- 1/2".
- Projection of at least 1/4" beyond the outer face of the building element below it.

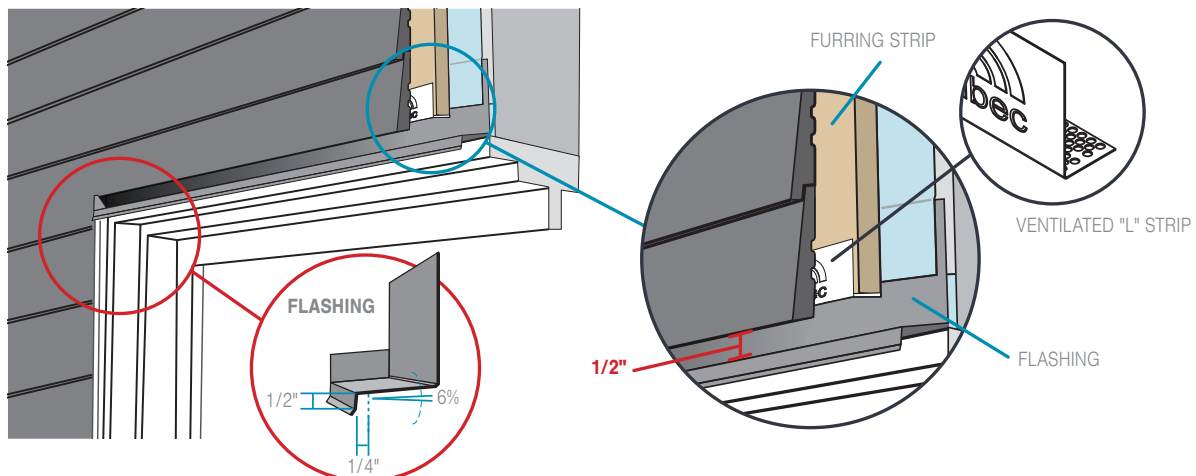
WITH WOOD FINISHING MOULDINGS

FIGURE 45



WITHOUT WOOD FINISHING MOULDINGS

FIGURE 46



IMPORTANT: COMPLIANCE WITH MAIBEC'S INSTALLATION, STORAGE AND MAINTENANCE REQUIREMENTS, AND WITH ALL APPLICABLE BUILDING CODES IS MANDATORY. PROBLEMS CAUSED BY FAILURE TO COMPLY WITH THESE REQUIREMENTS AND CODES MAY NOT BE COVERED BY THE APPLICABLE WARRANTIES.

11.2 BELOW WINDOWS

All flat horizontal surfaces (such as window sills) are prone to water or snow accumulation. To avoid such accumulation, one of the following options is mandatory:

- flashing with a minimum 6% slope
- sealant [FIGURE 48]
- minimum 10% angle cut on the moulding

To minimize movements in the boards, ventilation at the bottom of windows is required when the window has a width of more than 4 ft and is located more than 4 ft from the first course.

WITH WOOD FINISHING MOULDINGS

FIGURE 47

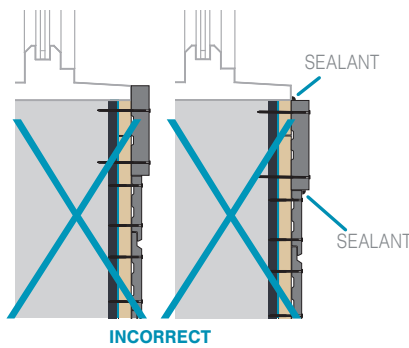
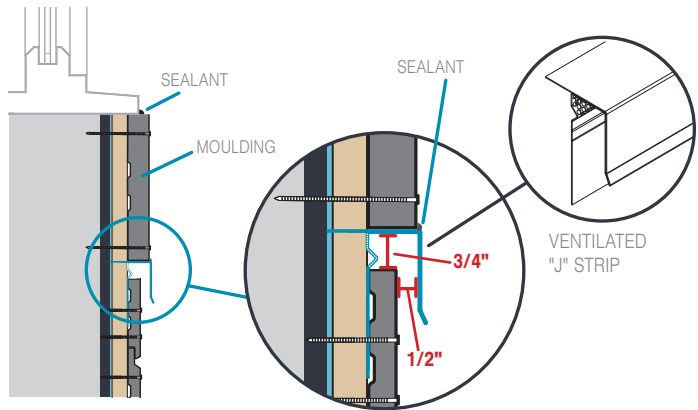


FIGURE 48



WITHOUT WOOD FINISHING MOULDINGS

FIGURE 49

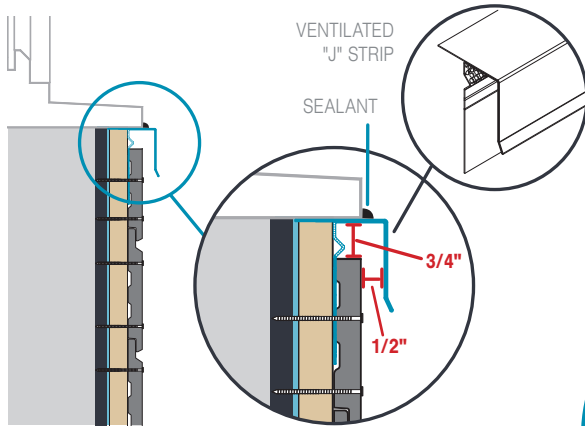
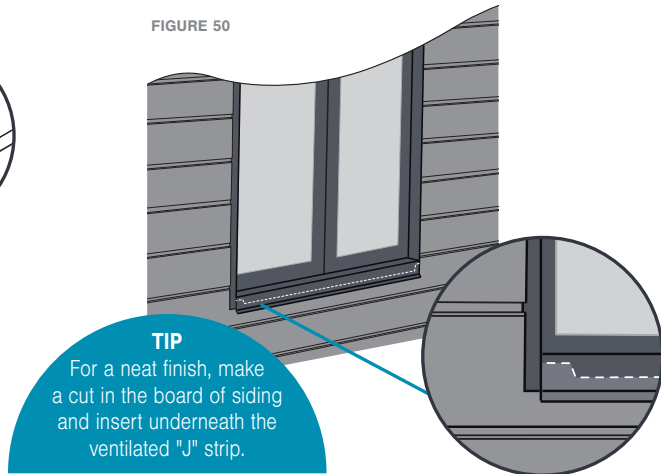


FIGURE 50

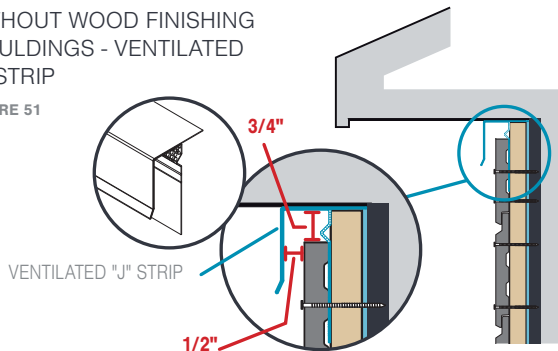


12. TOP OF WALLS FINISHING DETAILS

Several ventilated mouldings can be used to allow air to circulate and for heat to escape at the top of the wall, regardless of whether the siding is installed horizontally or vertically.

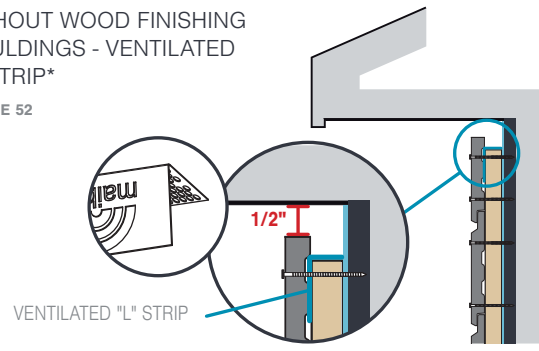
WITHOUT WOOD FINISHING MOULDINGS - VENTILATED "J" STRIP

FIGURE 51



WITHOUT WOOD FINISHING MOULDINGS - VENTILATED "L" STRIP*

FIGURE 52



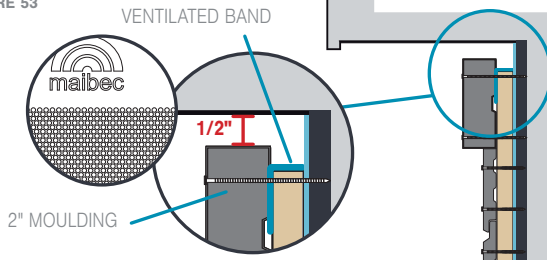
* WHEN ROOF OVERHANG EXCEEDS 2"

IMPORTANT: COMPLIANCE WITH MAIBEC'S INSTALLATION, STORAGE AND MAINTENANCE REQUIREMENTS, AND WITH ALL APPLICABLE BUILDING CODES IS MANDATORY. PROBLEMS CAUSED BY FAILURE TO COMPLY WITH THESE REQUIREMENTS AND CODES MAY NOT BE COVERED BY THE APPLICABLE WARRANTIES.

12. Top of walls finishing details (cont'd)

WITH WOOD FINISHING MOULDINGS -
VENTILATED "L" STRIP OR
VENTILATED BAND*

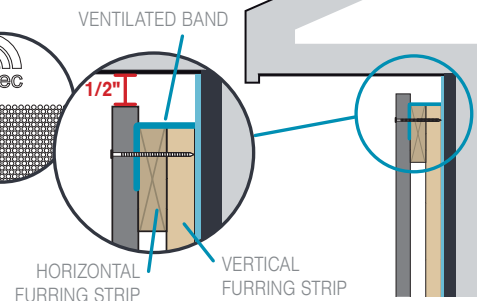
FIGURE 53



* WHEN ROOF OVERHANG EXCEEDS 2"

DOUBLE FURRING -
VENTILATED BAND*

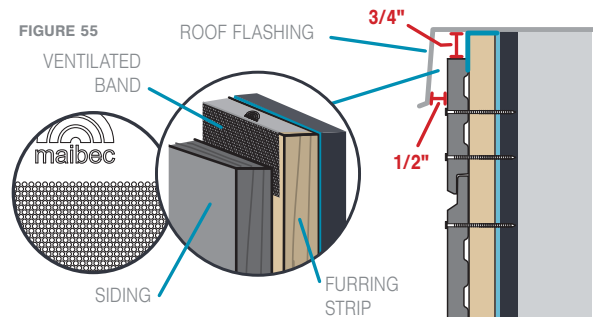
FIGURE 54



FLAT ROOF – VENTILATED BAND

The ventilated band ensures wall ventilation
between the siding and the roof flashing.

FIGURE 55



13. FINISHING GABLES AND BOTTOM SIDES OF DORMERS

The ventilated "J" strip allows for proper ventilation of the wall.

Extra pieces of furring strips must be added at the top of the wall. These pieces must be long enough to allow three full rows of siding to be properly nailed in place without blocking airflow. Do not add furring diagonally as this will block airflow.

FIGURE 56

VENTILATED "J" STRIP
INSTALLED ON AN ANGLE

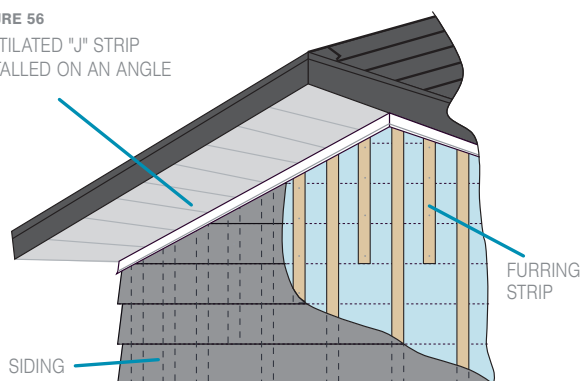
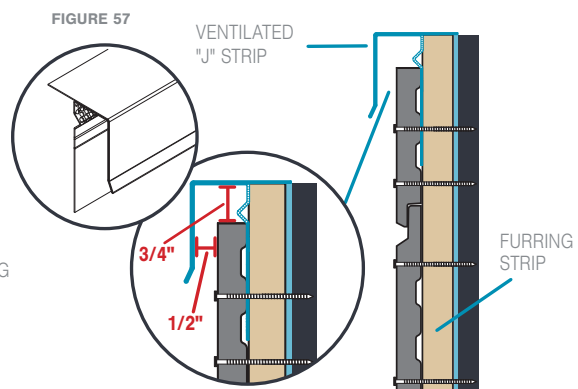


FIGURE 57



14. MAINTENANCE

As with all exterior products, siding is prone to organic or inorganic substances accumulating on its surface over time. This is a natural phenomena and is to be expected. To ensure the performance and longevity of your siding, check its appearance on a regular basis.

See the [maintenance guide](https://www.maibec.com/en/Support/Maintenance) at [maibec.com/en/Support/Maintenance](https://www.maibec.com/en/Support/Maintenance) program for more details.

IMPORTANT: COMPLIANCE WITH MAIBEC'S INSTALLATION, STORAGE AND MAINTENANCE REQUIREMENTS, AND WITH ALL APPLICABLE BUILDING CODES IS MANDATORY. PROBLEMS CAUSED BY FAILURE TO COMPLY WITH THESE REQUIREMENTS AND CODES MAY NOT BE COVERED BY THE APPLICABLE WARRANTIES.