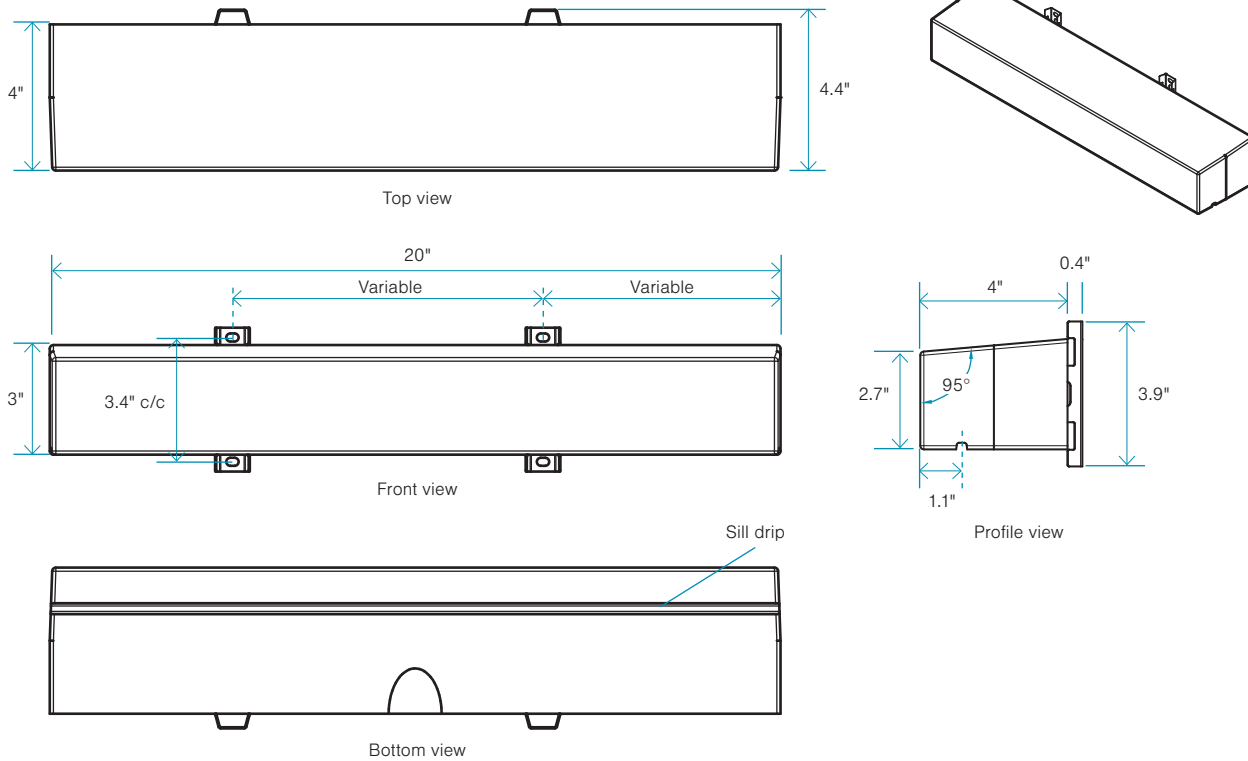


Sills



NOMINAL WIDTH	HEIGHT	DEPTH	FASTENING SYSTEM	ACTUAL DIMENSIONS
20"	3"	4"	Screw-in	20" x 3.9" x 4.4"

General Specifications

SUBSTRATE

- Cement and 35% recycled post-consumer glass composite.

PACKAGING

- Crates of 30 sills.

WEIGHT

- Sills only: 16 lbs;
- Crate of sills: 535 lbs.

AVAILABLE COLORS

- Gray;
- White;
- Beige.

WARRANTY

- 25 years

For exterior and interior use.