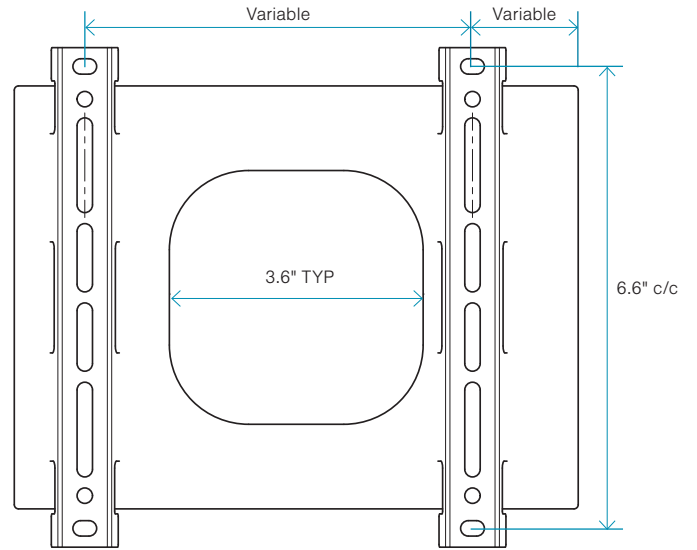
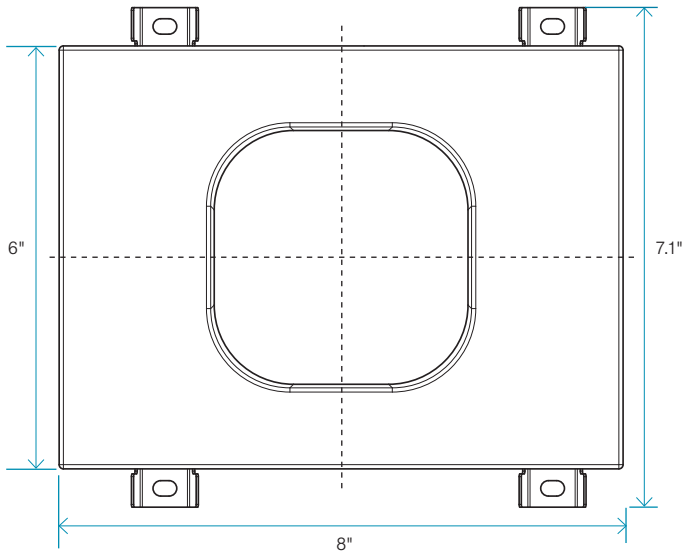
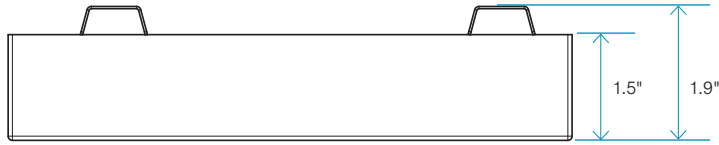


Light Plate



NOMINAL WIDTH	HEIGHT	DEPTH	FASTENING SYSTEM	OVERALL DIMENSIONS
8"	6"	1.5"	Screw-in	8" x 7.1" x 1.9"

General Specifications

SUBSTRATE

- Cement and 35% recycled post-consumer glass composite.

PACKAGING

- 80 plates per crate.

WEIGHT

- Electric box plate only: 4 lbs;
- Crate of electrical box plates: 375 lbs.

AVAILABLE COLORS

- Gray;
- White.

WARRANTY

- 25 years

For exterior and interior use.