

Installation Guide

Maibec Nobelia® trims

Read this entire guide before installing your siding. For proper installation, you must understand and follow all requirements and steps correctly. **DOWNLOAD THE LATEST VERSION ONLINE AT MAIBEC.COM.** For any questions, please contact Maibec's technical service toll-free at 1-800-363-1930, Monday to Friday from 8:30 a.m. to 4:30 p.m. (Eastern Time)

IMPORTANT: COMPLIANCE WITH MAIBEC'S INSTALLATION, STORAGE AND MAINTENANCE REQUIREMENTS, AND WITH ALL APPLICABLE BUILDING CODES IS MANDATORY. PROBLEMS CAUSED BY FAILURE TO COMPLY WITH THESE REQUIREMENTS AND CODES MAY NOT BE COVERED BY THE APPLICABLE WARRANTIES.

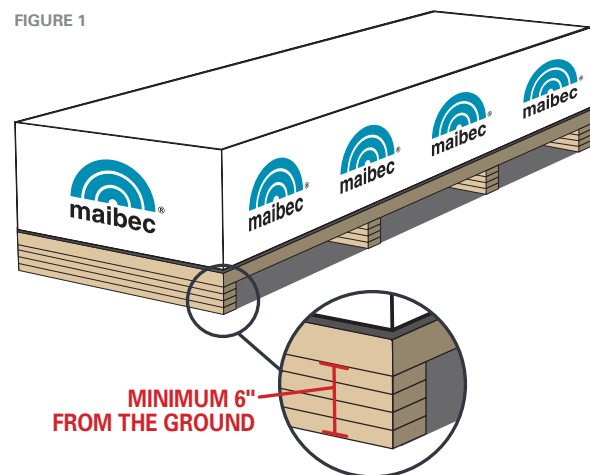
Maibec Nobelia trims are for exterior use only.

Drawings in this document are not to scale and are used solely to illustrate best practices. All dimensions in this document are given in inches.

1. STORAGE

- Keep the siding in a dry, unheated and well-ventilated area at least 6" from the ground. Never let it come into direct contact with the ground.
- Cover any unused trims with its original packaging at all times, even during installation. If the original packaging is no longer in good condition, cover the trims with a waterproof tarp.
- Install trims within 10 weeks of delivery, after which it should be kept in a dry, unheated, and well-ventilated area away from direct sunlight to prevent the wood from drying out.
- Touch-up stain must always be kept at room temperature (max 38°C/100°F).

FIGURE 1



2. BEFORE YOU BEGIN INSTALLATION

CHECK YOUR ORDER

- Make sure the product(s) delivered matches your order (colour, dimension, quantity, nails, accessories, etc.).
- Have on touch-up stain on hand.
- Never install a product that appears to be or that you think may be defective. Installed defective products are not covered by the warranty. Contact Maibec at 1 800 363-1930.

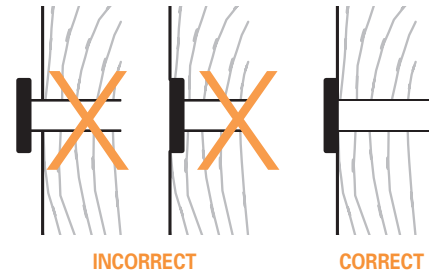
IMPORTANT: COMPLIANCE WITH MAIBEC'S INSTALLATION, STORAGE AND MAINTENANCE REQUIREMENTS, AND WITH ALL APPLICABLE BUILDING CODES IS MANDATORY. PROBLEMS CAUSED BY FAILURE TO COMPLY WITH THESE REQUIREMENTS AND CODES MAY NOT BE COVERED BY THE APPLICABLE WARRANTIES.

3. FASTENING SYSTEM

NAILS

- Use Maibec hot dipped zinc galvanized ring shank nails with textured heads, factory-stained to match the trims colour. These nails must be ordered at the same time as your trims. Use the hammer cap to protect the stain on the nail heads.
- Ensure nails have a minimum real penetration of 1" in a solid substrate.
- Nails must be driven so that the head sits flush on the wood's surface. [FIGURE 2]

FIGURE 2



NAIL LENGTHS

- **2" Stained**

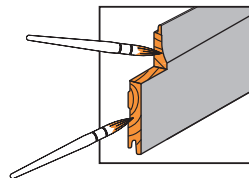
If Maibec Nobelia trims are installed in Coastal regions*, unstained stainless steel grade 316 ringed nails must be used for installing trims. Failure to comply with this requirement will void the warranties.

* APPLICABLE COASTAL REGIONS INCLUDE THOSE LOCATED LESS THAN 600 M (2,000 FT) FROM THE COASTLINE IN THE ATLANTIC PROVINCES (NEW BRUNSWICK, PRINCE EDWARD ISLAND, NOVA SCOTIA, NEWFOUNDLAND AND LABRADOR), IN SAINT-PIERRE-ET-MIQUELON, AND IN THE U.S. EAST COAST STATES.

4. TOUCH-UPS FOR SEALING THE WOOD

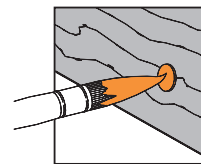
- To ensure the optimal performance of the trims and stain, all bare wood on cut boards must be resealed. This will prevent water from seeping into the wood fibres and causing rot over time.
- Apply touch-up stain to all cut or planed surfaces and to all bare wood, even if it will not be visible after the trims are installed. Always touch up boards **BEFORE** installing them. [FIGURE 3]

FIGURE 3

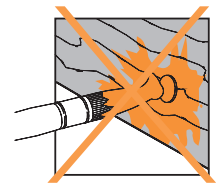


RESEAL ALL CUT BOARDS

FIGURE 4



APPLY PRECISELY



DO NOT SPILLOVER OR OVERBRUSH

- Use a polyester, nylon or any synthetic applicator with firm bristles approved for water-based coatings.
- Touch-up stain is included with your order. If you need more, you can purchase a Maibec-approved stain from your retailer. See the list of Maibec-approved stains in the Staining Guide at maibec.com/en/resources/documentations/.



NEVER APPLY TOUCH-UP STAIN OVER NON-DAMAGED FACTORY COATED MATERIAL. IMPROPER APPLICATION OF THE TOUCH-UP STAIN CAN RESULT IN DIFFERENCES IN COLOUR THAT WILL NOT NECESSARILY APPEAR IMMEDIATELY, BUT WHICH MAY BECOME MORE NOTICEABLE OVER TIME AFTER PROLONGED EXPOSURE TO ULTRAVIOLET RAYS.

For more information, consult the touch-up guide at maibec.com.

5. END JOINTS

BOARD-TO-BOARD AND TRIM-TO-TRIM

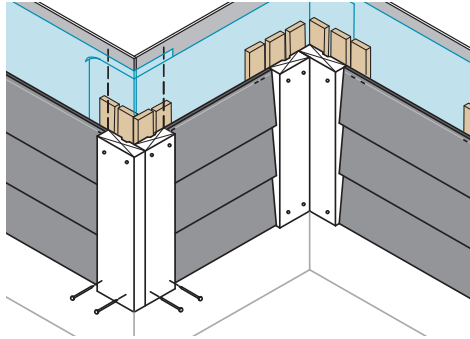
- If you have to make a joint cut, make 22.5° cuts at the ends of both boards to be butted, apply touch-up stain as recommended and fasten to the furring strip. No sealant is required.
- Joints cut at a 22.5° angle must always be nailed to a furring strip.
- Ensure the angle cut points downward to prevent water from infiltrating through the joint.

IMPORTANT: COMPLIANCE WITH MAIBEC'S INSTALLATION, STORAGE AND MAINTENANCE REQUIREMENTS, AND WITH ALL APPLICABLE BUILDING CODES IS MANDATORY. PROBLEMS CAUSED BY FAILURE TO COMPLY WITH THESE REQUIREMENTS AND CODES MAY NOT BE COVERED BY THE APPLICABLE WARRANTIES.

6. CORNERS

5/4" TRIM

FIGURE 5



NEVER JOIN TWO PIECES OF TRIMS CUT AT A 45° ANGLE TO MAKE CORNERS. THIS WILL LIMIT YOUR OPTIONS FOR MAKING ADJUSTMENTS DURING INSTALLATION. THE SHIFTS THAT OCCUR NATURALLY IN WOOD WILL ALSO BECOME MORE NOTICEABLE OVER TIME.

CUTTING AND NAILING TRIMS

- Cutting angle of 22.5° to allow water to drain freely. [FIGURE 6]
- Use 2 nails every 16" and at 3/4" - 1" from the edges of the moulding. [FIGURE 7]

FIGURE 6

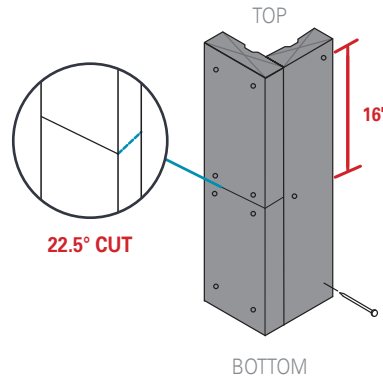
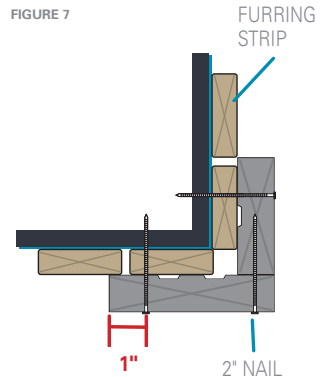


FIGURE 7



7. JUNCTIONS

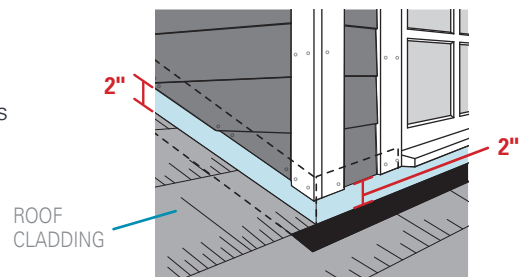
7.1 SIDING-DECK JUNCTIONS

- Trims must never come into direct contact with a balcony or deck. At all times, the installation should allow rainwater to drain freely and prevent pooling water from ice dams from penetrating behind the siding. Leave a 2" space between adjacent horizontal structures and a 1/2" space between the siding and the flashing.

10.2 DORMER - ROOF JUNCTIONS

- Leave a 2" space between the trim and the surface of the roof to allow water to drain freely.

FIGURE 8



14. MAINTENANCE

As with all exterior products, trims are prone to organic or inorganic substances accumulating on its surface over time. This is a natural phenomena and is to be expected. To ensure the performance and longevity of your trims, check its appearance on a regular basis.

See the maintenance guide at maibec.com/en/resources/documentations/ for more details.



LEARN MORE
ABOUT THIS
NEW LINE

IMPORTANT: COMPLIANCE WITH MAIBEC'S INSTALLATION, STORAGE AND MAINTENANCE REQUIREMENTS, AND WITH ALL APPLICABLE BUILDING CODES IS MANDATORY. PROBLEMS CAUSED BY FAILURE TO COMPLY WITH THESE REQUIREMENTS AND CODES MAY NOT BE COVERED BY THE APPLICABLE WARRANTIES.