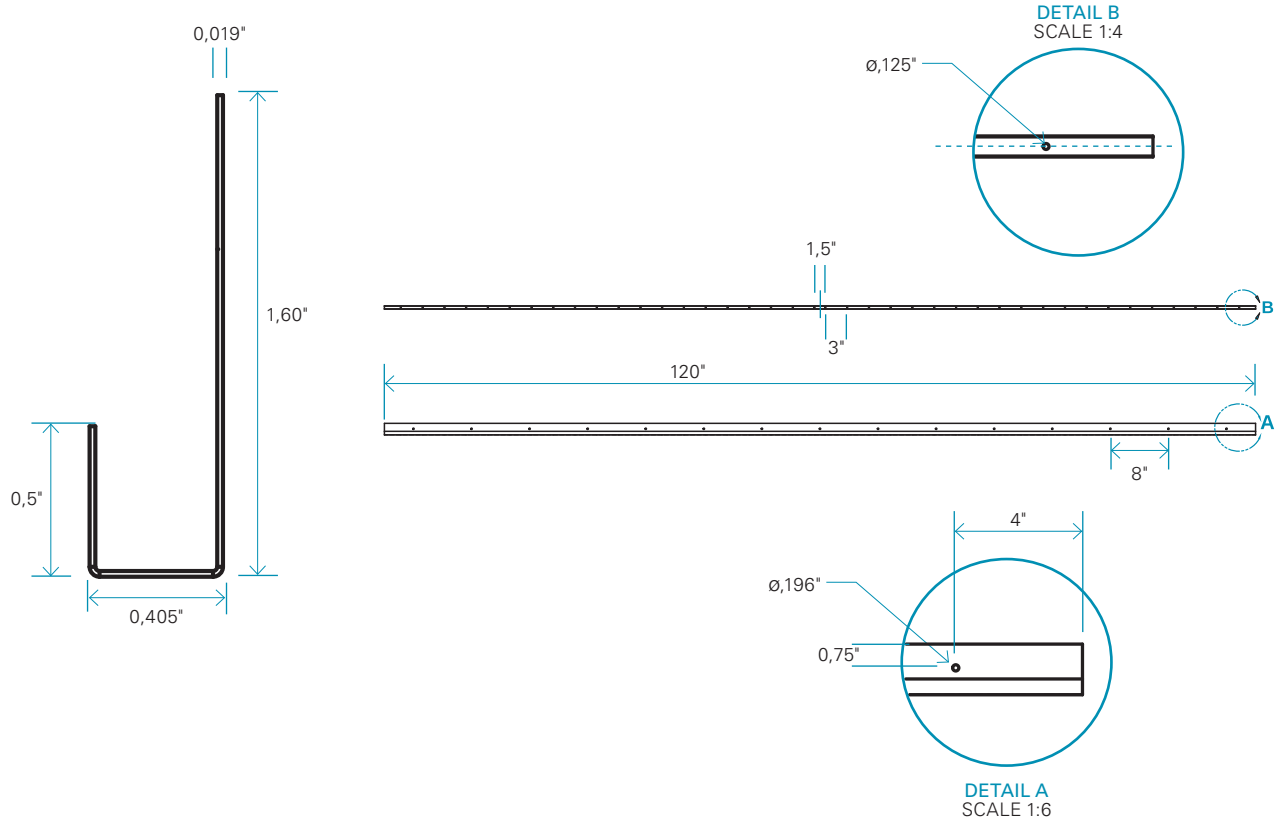


# Starting Strip



NOMINAL WIDTH	FINISH	ACTUAL DIMENSIONS
10"	Steel	7/16" x 1,6"

## General Specifications

Laminated steel ventilated strip for fastened stone.  
The perforated pattern ensures proper ventilation and drainage of the wall.

### PACKAGING

- Piece of 10 ft.

### AVAILABLE COLOURS

- White
- Black

For exterior use only.